

WALL HUNG INSTALLATION TIPS

GEBERIT CONCEALED CISTERN (FUTURE MAINTENANCE METHOD)

<https://www.youtube.com/watch?v=ua0jRSJEcec>

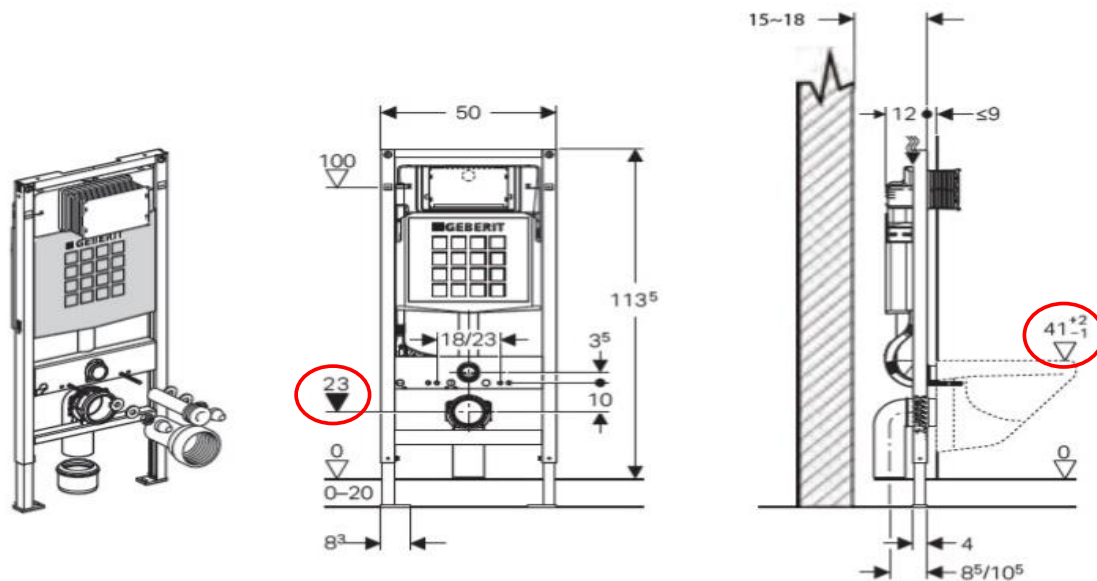
GEBERIT SIGMA DUOFIX INSTALLATION VIDEO:

<https://www.youtube.com/watch?v=-lqShezqnps&t=44s>

Collaborative efforts between the PLUMBER TECHNICIAN and the TILER are crucial for establishing the ultimate level of the floor's finishing.

Measuring upward from the FINAL FLOOR FINISH LEVEL toward the midpoint of the discharge pipe should not be less than 230mm.

Neglecting this requirement will lead to the installation of the wall-hung toilet at an excessively low position.



Furthermore, there is no necessity to erect a brick wall in the vicinity of the concealed cistern. The addition of such a brick wall would result in an augmented distance between the concealed cistern and the wall-hung toilet. Consequently, this would lead to an insufficient length of the push actuator rod. Moreover, this situation would exacerbate the challenge of conducting maintenance on the concealed cistern in the future.

